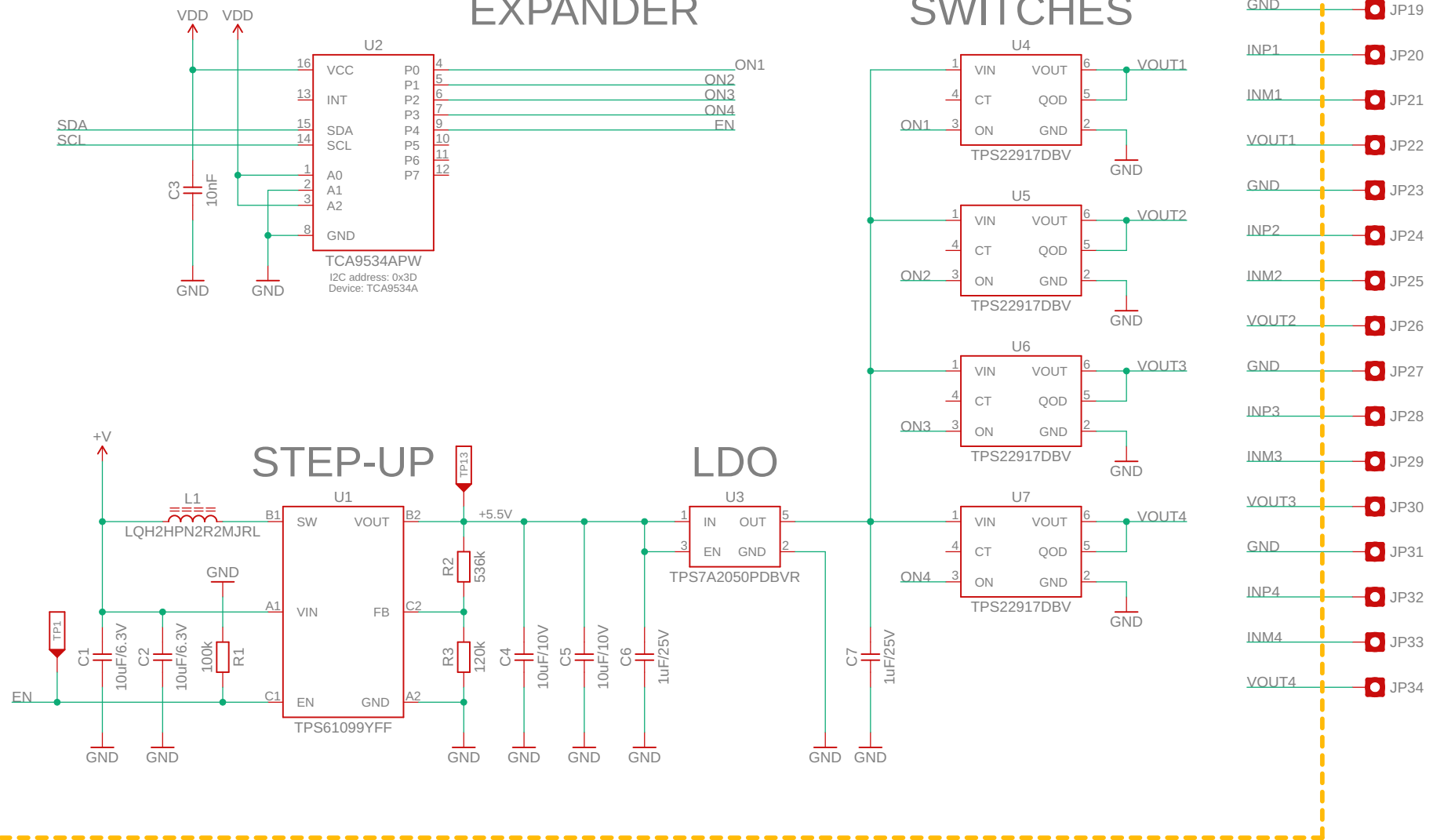
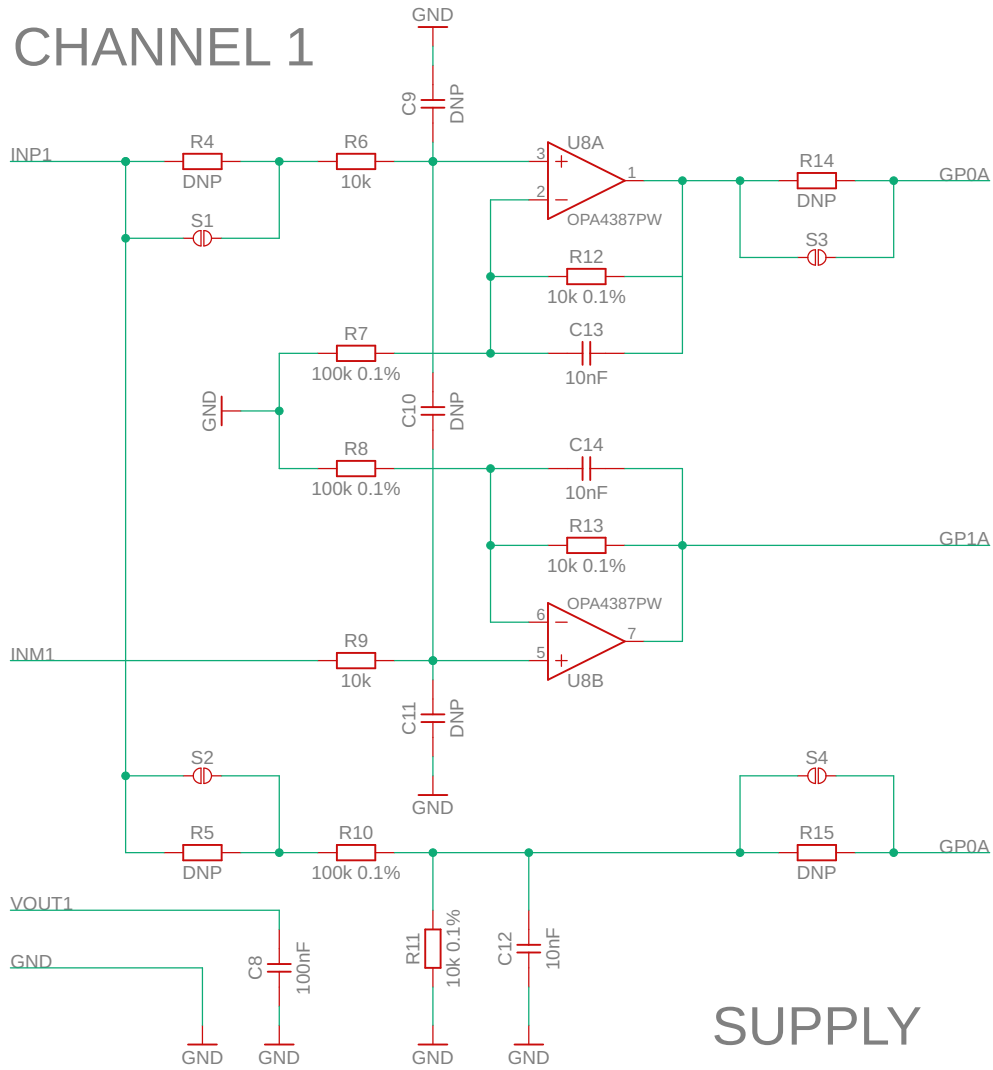


- JP1 GND
- JP2 VDD
- JP3 SCL
- JP4 SDA
- JP5 GP0A
- JP6 GP1A
- JP7 GP2A
- JP8 GP3A
- JP9
- JP10 GND
- JP11
- JP12
- JP13
- JP14 GP0B
- JP15 GP1B
- JP16 GP2B
- JP17 GP3B
- JP18 +V

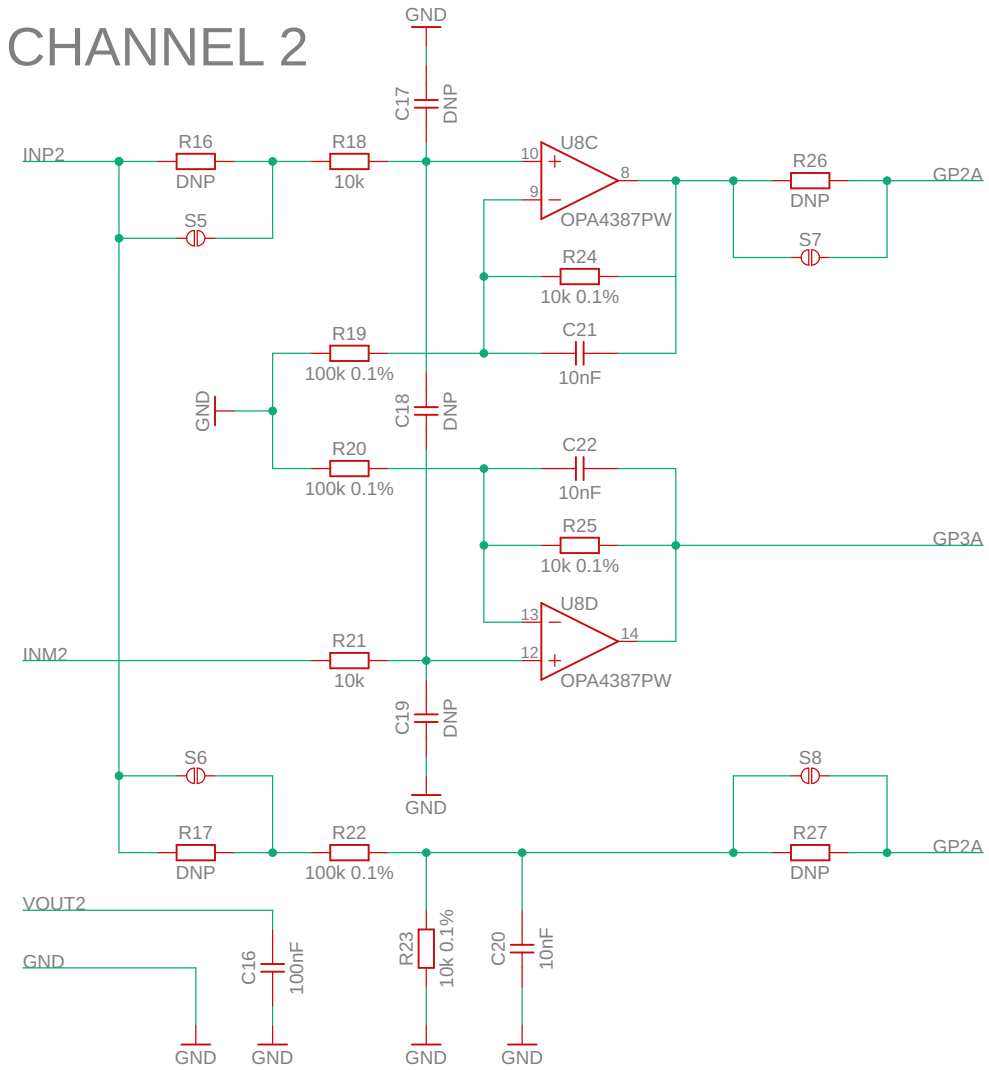


HARDWARIO AGILE HARDWARE DEVELOPMENT WWW.HARDWARIO.COM	CHESTER-K1	
	REVISION: 1.4	
	MODIFIED: 25.04.2024 13:02	1 / 3

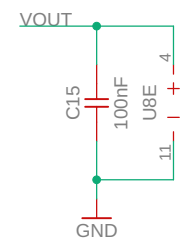
CHANNEL 1



CHANNEL 2

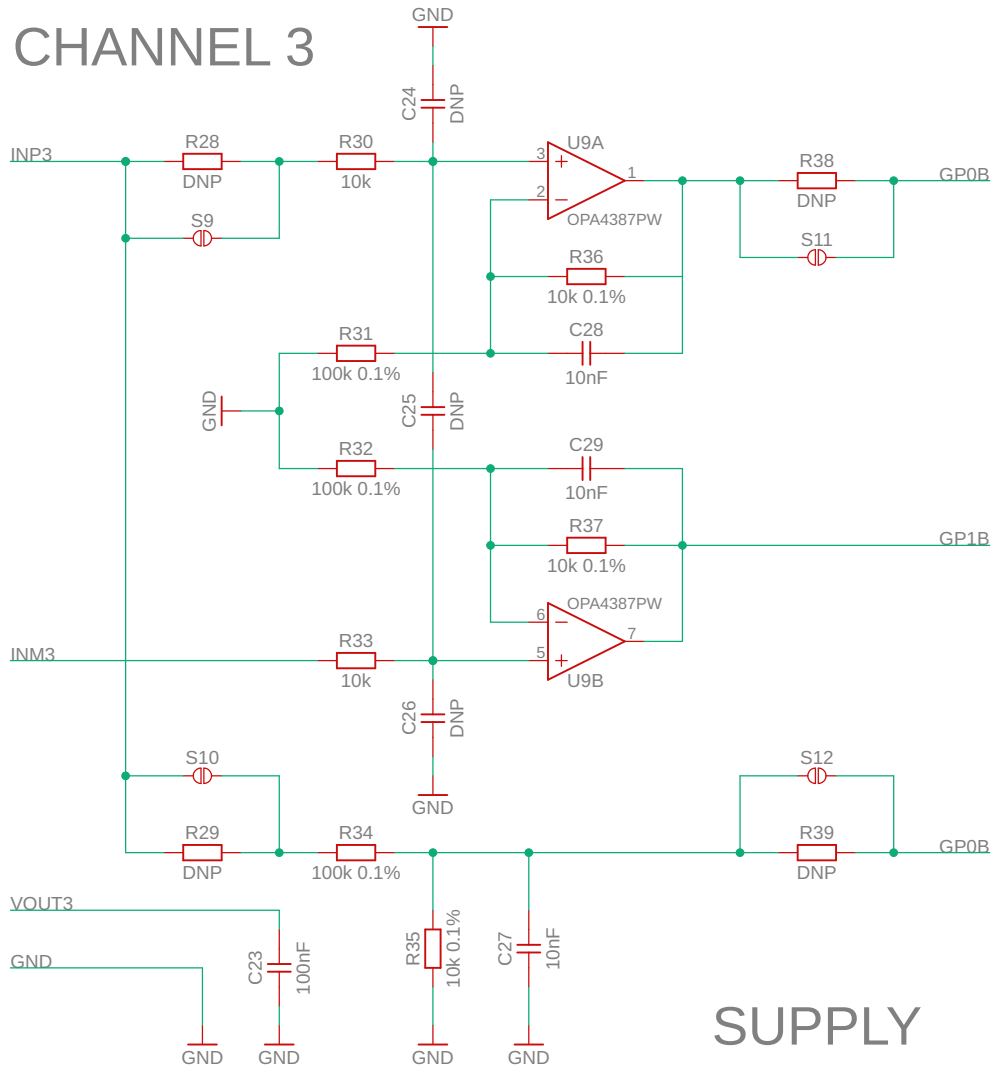


SUPPLY

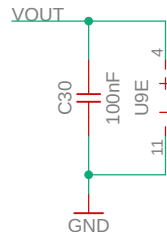


HARDWARIO AGILE HARDWARE DEVELOPMENT WWW.HARDWARIO.COM	CHESTER-K1	
	REVISION: 1.4 MODIFIED: 25.04.2024 13:02	2/3

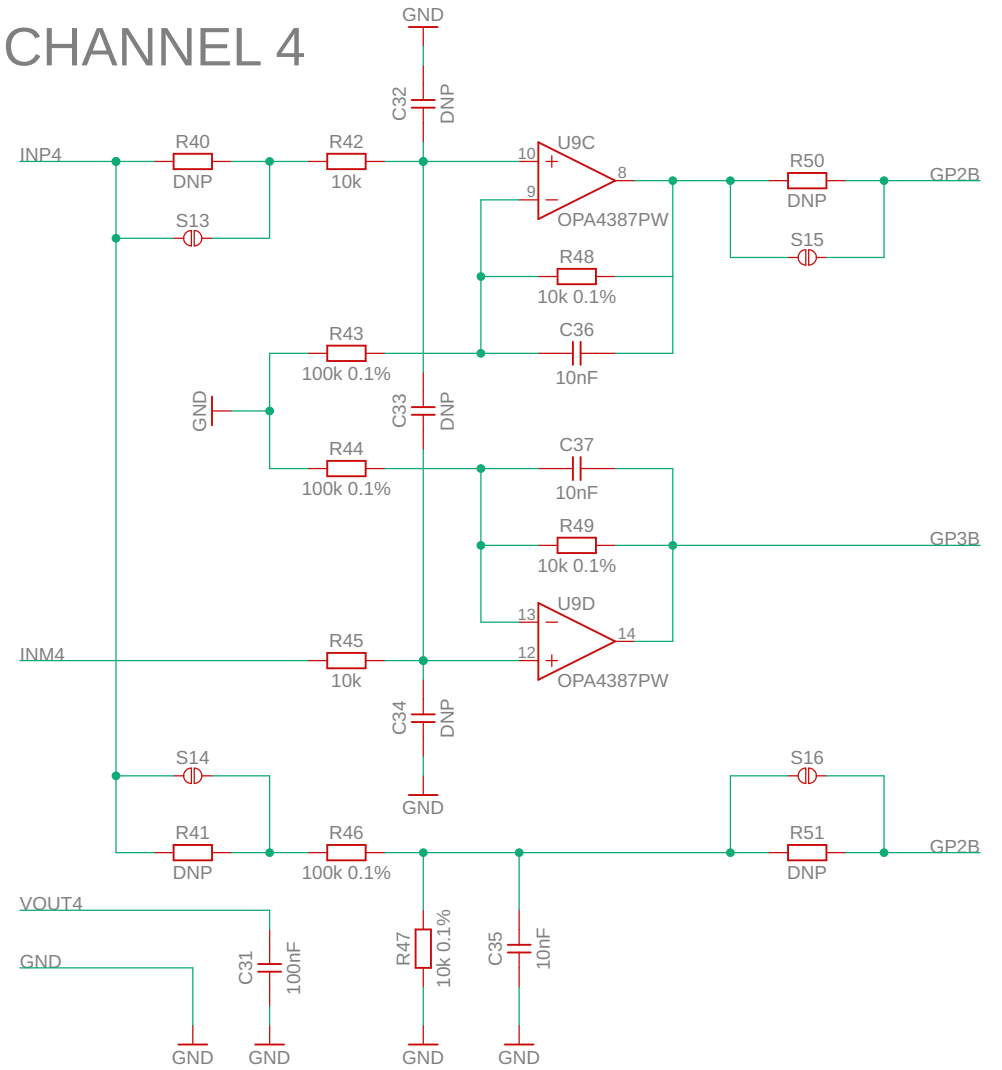
CHANNEL 3



SUPPLY



CHANNEL 4



HARDWARIO AGILE HARDWARE DEVELOPMENT WWW.HARDWARIO.COM	CHESTER-K1	
	REVISION: 1.4 MODIFIED: 25.04.2024 13:02	3/3