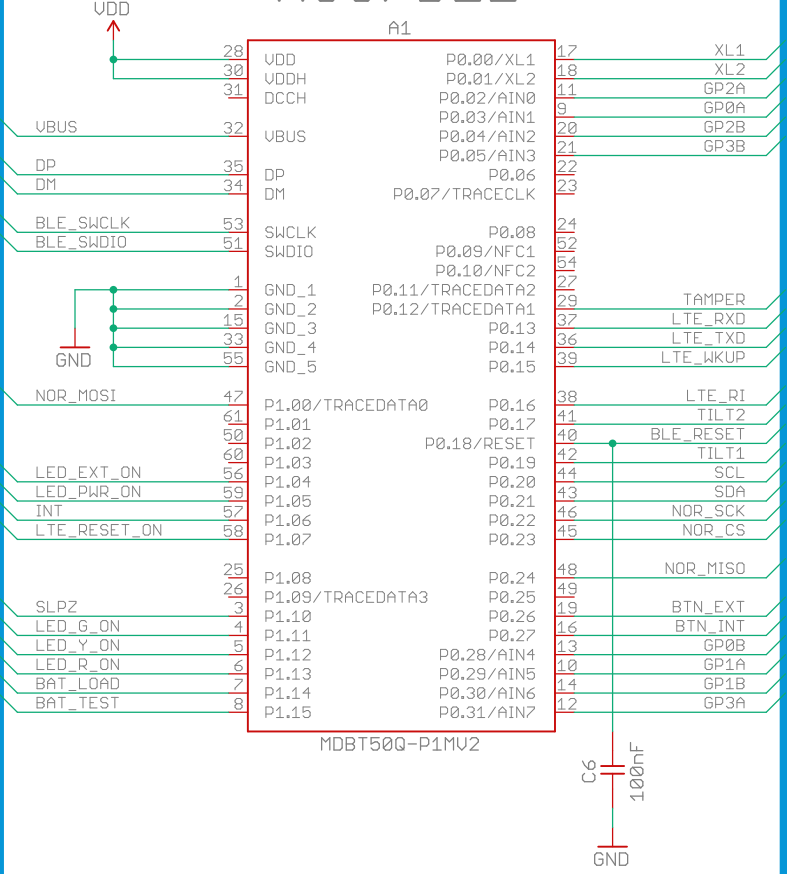
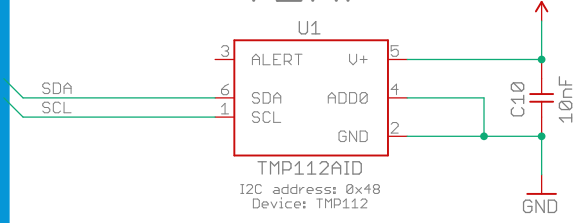


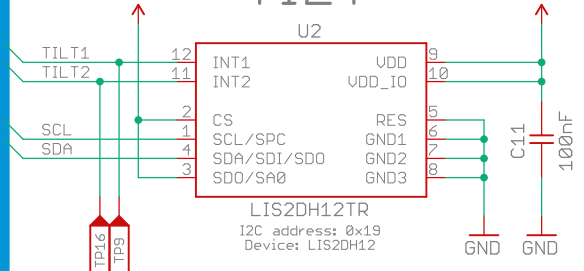
MCU/BLE



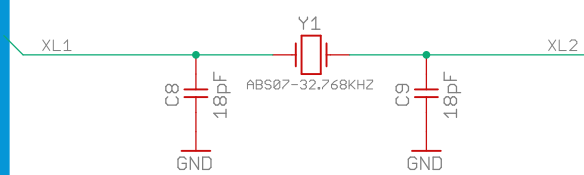
TEMP



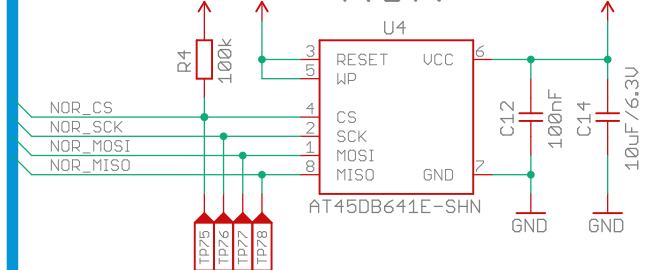
TILT



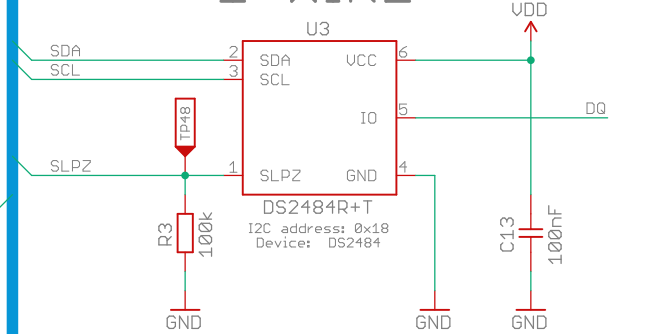
QUARTZ



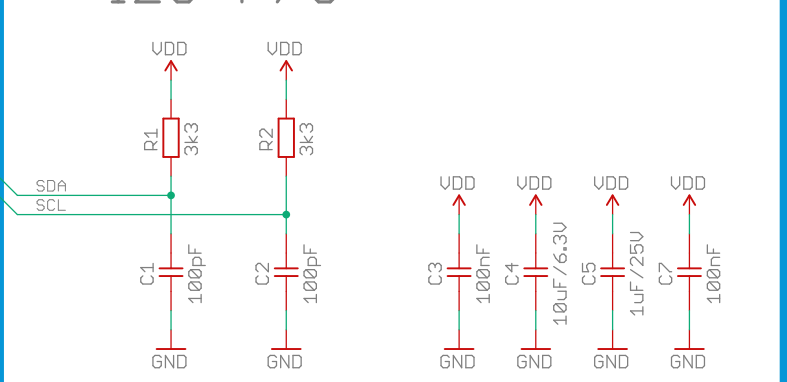
NOR



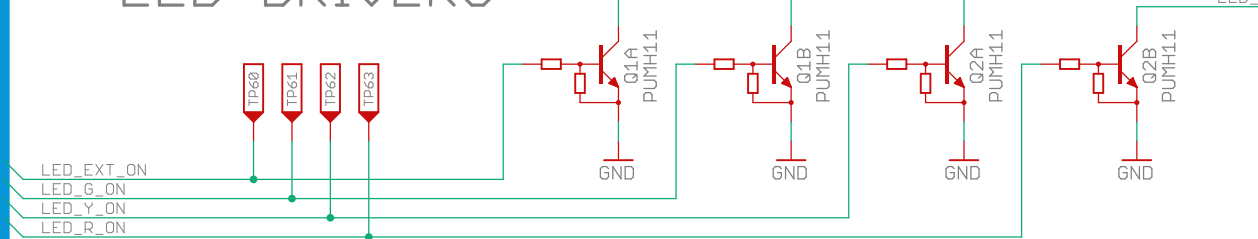
1-WIRE



I2C P/U

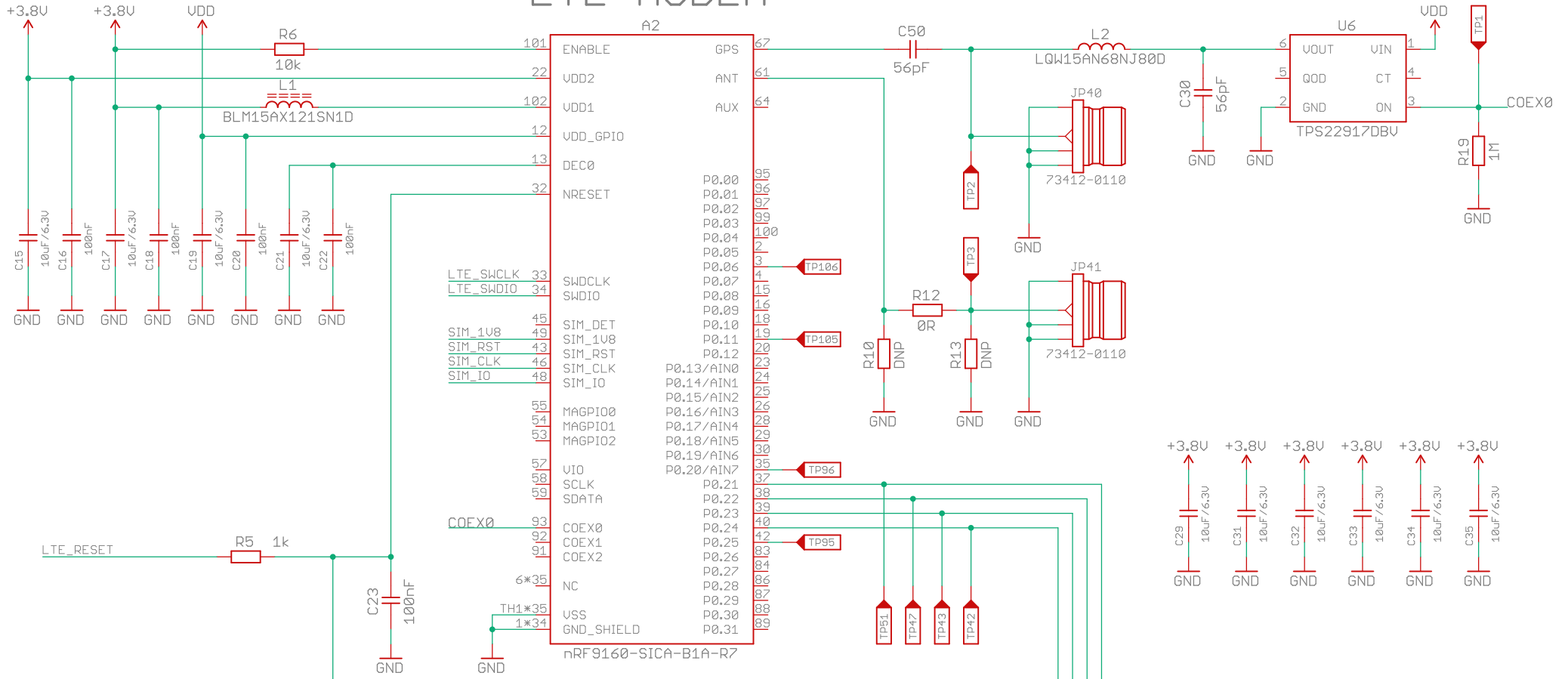


LED DRIVERS

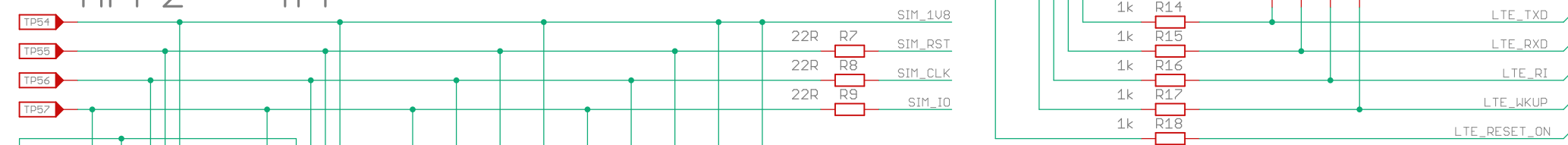


HARDWARIO AGILE HARDWARE DEVELOPMENT WWW.HARDWARIO.COM	CHESTER-U1	
	REVISION: R1.1	
	MODIFIED: 16.11.23 10:30	2/4

LTE MODEM

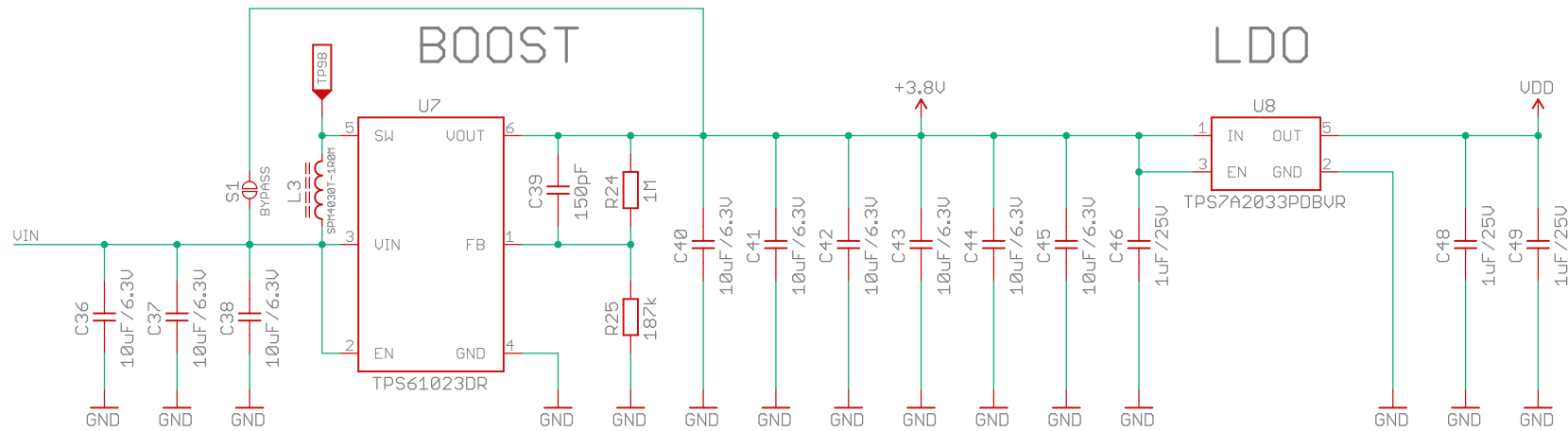


MFF2 4FF

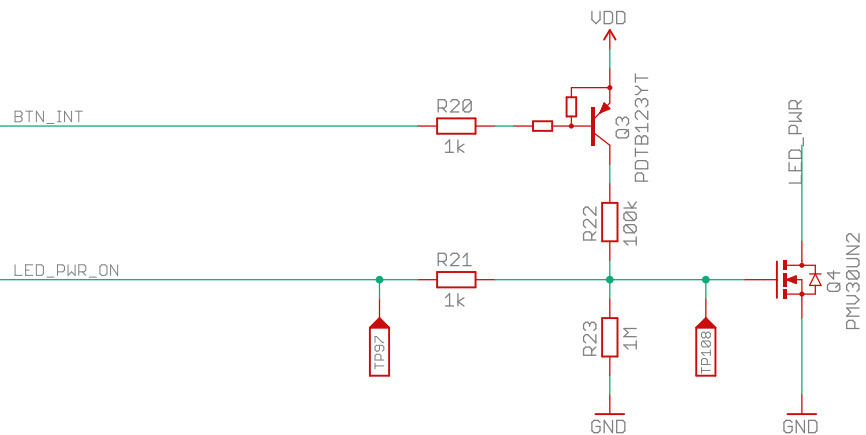


TODO: Why it was 0R on CHESTER-M?

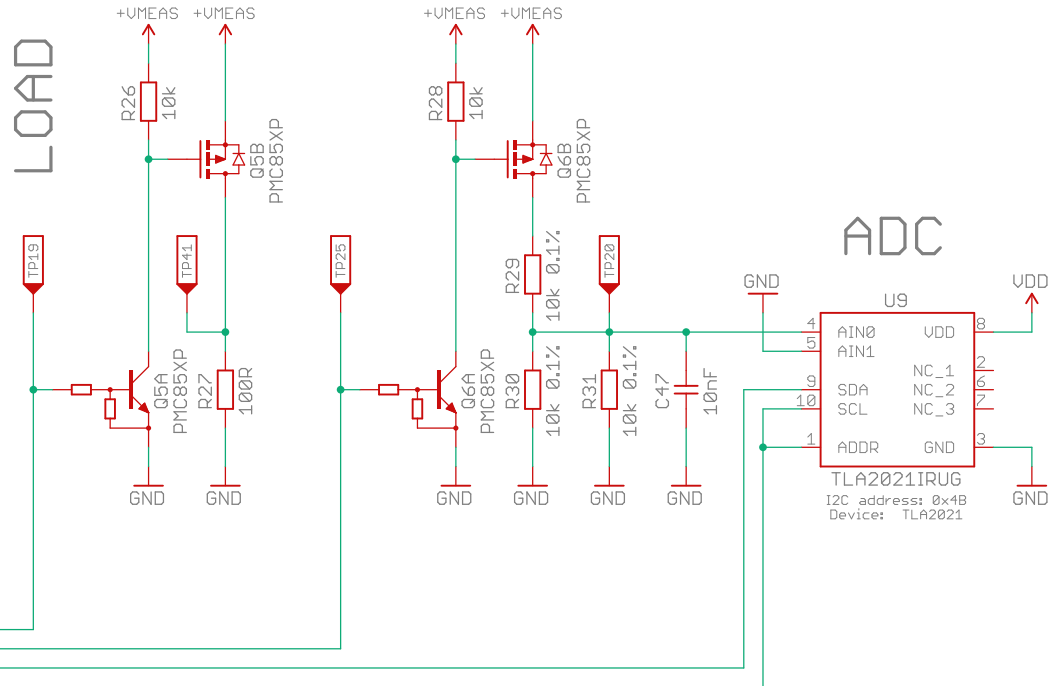
HARDWARIO AGILE HARDWARE DEVELOPMENT WWW.HARDWARIO.COM	CHESTER-U1	
	REVISION: 1.1	
	MODIFIED: 16.11.23 10:30	3/4



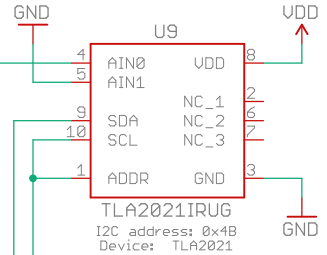
POWER LED



LOAD



ADC



BAT_LOAD

BAT_TEST

SDA

SCL